

# ***INSTALLATION & OPERATION MANUAL***

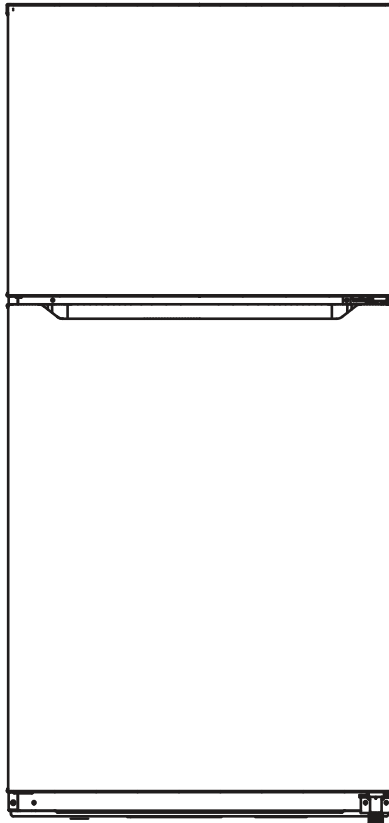
---

## **CONSERVATOR<sup>®</sup>**

---

### **Refrigerator-Freezer**

- **GRMH141AW**
- **GRMH141AB**
- **GRMH141AS**





# TABLE OF CONTENT

<b>1.SAFETY INFORMATION .....</b>	<b>4</b>
<b>2.PROPER USE OF REFRIGERATOR .....</b>	<b>11</b>
2.1 PLACEMENT .....	11
2.2 ENERGY SAVING TIPS .....	12
2.3 CHANGING THE LIGHT.....	12
2.4 START TO USE.....	13
2.5 COMPONENTS.....	14
2.6 FUNCTIONS.....	16
2.7 REVERSE DOOR HINGES (Optional) .....	17
2.8 LEVELING FEET .....	20
<b>3.MAINTENANCE OF REFRIGERATOR.....</b>	<b>21</b>
3.1 OVERALL CLEANING.....	21
3.2 DEFROSTING.....	22
3.3 OUT OF OPERATION .....	22
<b>4.TROUBLE SHOOTING.....</b>	<b>23</b>
<b>5.WARRANTY .....</b>	<b>25</b>

# 1. SAFETY INFORMATION

YOUR SAFETY AND THE SAFETY OF OTHERS ARE VERY IMPORTANT

To prevent injury to the user or other persons and property damage, these instructions must be followed. Incorrect operation due to ignoring instructions may cause harm or damage, including death.

The level of risk is shown by the following indications.



Prohibition symbol

### This is a prohibition symbol.

Any in compliance with instructions marked with this symbol may result in damage to the product or endanger the personal safety of the user.



Warning symbol

### This is a warning symbol.

It is required to operate in strict observance of instructions marked with this symbol; otherwise damage to the product or personal injury may be caused.



Cautioning symbol

### This is a cautioning symbol.

Instructions marked with this symbol require special caution. Insufficient caution may result in slight or moderate injury or damage to the product.

## IMPORTANT SAFETY INSTRUCTIONS



Risk of fire / Flammable materials

### **WARNING**

- This appliance is intended to be used in household and similar applications such as staff kitchen areas in shops, offices and other working environments; farm houses and by clients in hotels, motels and other residential type environments; bed and breakfast type environments; catering and similar non-retail applications.
- This appliance is not intended for use by persons (including children) with reduced physical, sensory or mental capabilities, or lack of experience and knowledge, unless they have been given supervision or instruction concerning use of the appliance by a person responsible for their safety.



- Children should be supervised to ensure that they do not play with the appliance.
- If the supply cord is damaged, it must be replaced by the manufacturer, its service agent or similarly qualified persons in order to avoid a hazard.
- Do not store explosive substances such as aerosol cans with a flammable propellant in this appliance.
- The appliance has to be unplugged after use and before carrying out user maintenance.
- **WARNING:** Keep ventilation openings in the appliance enclosure or in the built-in structure clear of obstructions.
- **WARNING:** Do not use mechanical devices or other means to accelerate the defrosting process, other than those recommended by the manufacturer.
- **WARNING:** Do not damage the refrigerant circuit.
- **WARNING:** Do not use electrical appliances inside the food storage compartments of the appliance, unless they are of the type recommended by the manufacturer.
- **WARNING:** Please dispose of the refrigerator according to local regulations since it uses flammable blowing gas and refrigerant.
- **WARNING:** When positioning the appliance, ensure the supply cord is not trapped or damaged.
- **WARNING:** Do not place multiple portable socket-outlets or portable power supplies at the rear of the appliance.
- **WARNING:** Do not use extension cords or ungrounded (two prong) adapters.
- **WARNING:** To avoid a hazard due to instability of the appliance, it must be fixed in accordance with the instructions.
- To Prevent Children From Being Entrapped, The Keys Must Be Kept Out Of Reach Of Children And Not In The Vicinity Of Chest Freezer (Or Refrigerator) (suitable for products with locks).

## DANGER

- Risk of child entrapment. Before you dispose of your old refrigerator or chest freezer:
  - Take off the doors.
  - Leave the shelves in place so that children may not easily climb inside.
- The refrigerator must be disconnected from mains power before attempting the installation of accessories.
- Refrigerant and cyclopentane foaming material used for the appliance are flammable. Therefore, when the appliance is scrapped, it shall be kept away from any fire source and be recovered by a special recovering company with corresponding qualification other than be disposed by combustion, so as to prevent damage to the environment or any other harm.
- For doors or lids fitted with locks, the keys must be kept out of reach of children and not in the vicinity of the refrigerating appliance, in order to prevent children from being locked inside.

# SAVE THESE INSTRUCTIONS

## THIS APPLIANCE IS FOR HOUSEHOLD USE ONLY

### State of California Proposition 65 Warnings:



WARNING: Cancer and Reproductive Harm  
-[www.P65Warnings.ca.gov](http://www.P65Warnings.ca.gov).

## PROPER DISPOSAL



### WARNING

#### Suffocation Hazard

#### Before you dispose of your old chest freezer or refrigerator:

- Remove the door or lid so that children cannot hide or get trapped inside your old appliance.
- Leave any shelves in place so that children may not easily climb inside.
- Failure to follow these instructions can result in death or brain damage.

#### IMPORTANT:

Flammable gas and refrigerant used. It is the consumer's responsibility to comply with Federal and Local regulations when disposing of this product. Refrigerants must be evacuated by a licensed, EPA-certified refrigerant technician in accordance with established procedures.

## ELECTRICITY-RELATED WARNINGS

- Do not pull the power cord when pulling the power plug of the refrigerator. Please firmly grasp the plug and pull out from the socket.
- To ensure safe use, do not damage the power cord or use the power cord when it is damaged or worn.
- Please use a dedicated power socket; the power socket shall not be shared with other electrical appliances.
- The power cord should be firmly contacted with the socket, otherwise fire may be caused.
- Please ensure that the grounding electrode of the power socket is equipped with a reliable grounding line.
- Please turn off the valve of leaking gas and open the doors and windows in case of leakage of gas and other flammable substances. Do not unplug the refrigerator and other electrical appliances considering that spark may cause a fire.

- Do not use electrical appliances on top of the appliance, unless they are of the type recommended by the manufacturer.

## WARNINGS RELATED TO PLACING ITEMS

- Do not place flammable, explosive, volatile and highly corrosive items in the refrigerator to prevent damages to the product or fire accidents.
- Do not place flammable items near the refrigerator to avoid fire.
- This product is a household refrigerator and is only suitable for the storage of food. According to national standards, a household refrigerator shall not be used for other purposes, such as storage of blood, drugs or biological products.
- Do not store beer, beverages or other fluids contained in bottles or enclosed containers in the freezing chamber of the refrigerator, otherwise the bottles or enclosed containers may crack due to freezing and cause damages.

## WARNINGS FOR USE

- Do not arbitrarily disassemble or reconstruct the refrigerator, nor damage the refrigerant circuit; maintenance of the appliance must be conducted by a specialist.
- A damaged power cord must be replaced by the manufacturer, its maintenance department or related professionals in order to avoid danger.
- The gaps between refrigerator door and body are small. Do not place your hands in these areas to prevent squeezing your fingers. Please be gentle when opening the refrigerator door to avoid articles falling out.
- Do not pick up food or containers with wet hands in the freezing chamber when the refrigerator is running, especially metal containers in order to avoid frostbite.
- Do not allow children to enter or climb inside the refrigerator to prevent that children are sealed in the refrigerator or injured by the falling refrigerator.
- Do not spray or wash the refrigerator; do not place the refrigerator in moist places easy to be splashed with water so as not to affect the electrical insulation properties of the refrigerator.
- Do not place heavy objects on top of the refrigerator considering that objects may fall when opening the door, and accidental injuries might be caused.
- Please pull out the plug in case of power failure or cleaning. Do not connect the refrigerator to power supply within five minutes to prevent damages to the compressor due to successive starts.

## ENERGY WARNINGS

- 1.** Refrigerating appliances might not operate consistently (possibility of defrosting of contents or temperature becoming too warm in the frozen food compartment) when set for an extended period of time below the cold end of the temperature range for which the refrigerating appliance is designed.
- 2.** Sparkling beverages shall not be stored in a freezing chamber or a lower temperature compartment. Certain drinks (such as ice water) shall not be too cold for drinking.
- 3.** Do not exceed the storage time(s) recommended by the food manufacturers for any kind of food and particularly for commercially quick-frozen food in food-freezer and frozen-food storage compartments or cabinets.
- 4.** Prevent an undue rise in temperature of frozen food while defrosting the refrigerating appliance, such as wrapping the frozen food in several layers of newspaper.
- 5.** A rise in temperature of frozen food during manual defrosting, maintenance or cleaning can shorten the storage life.

## DISPOSAL



Refrigerant and cyclopentane foaming material used for the refrigerator are flammable. Therefore, when the refrigerator is scrapped, it shall be kept away from any fire source and be recovered by a special recovering company with corresponding qualification other than be disposed by combustion, so as to prevent damage to the environment or any other harm.



When the refrigerator is scrapped, disassemble the doors, and remove gaskets of door and shelves; place the doors and shelves in a proper place, so as to prevent trapping children.

Correct Disposal of this product:



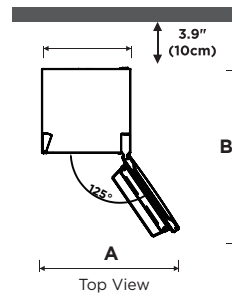
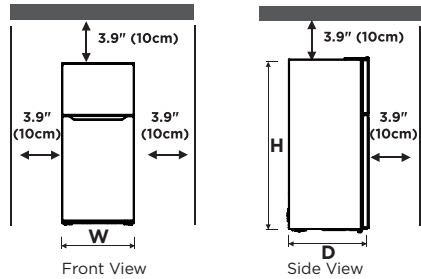
This marking indicates that this product should not be disposed with other household waste. To prevent possible harm to the environment or human health from uncontrolled waste disposal, recycle it responsibly to promote the sustainable reuse of material resources. To return your used device, please use the return and collection systems or contact the retailer where the product was purchased. They take this product in for environmental safe recycling.

## 2. PROPER USE OF REFRIGERATOR

### 2.1 PLACEMENT

- Before use, remove all packing materials, including bottom pads, foam pads and tapes inside of the refrigerator; tear off the protective film on the doors and the refrigerator body.
- Keep away from heat and avoid direct sunlight. Do not place the refrigerator in moist or wet places to prevent rust or reduction of the insulating effect.
- Do not spray or wash the refrigerator; do not place the refrigerator in moist places easy to be splashed with water so as not to affect the electrical insulation properties of the refrigerator.
- The refrigerator is placed in a well-ventilated indoor place; the floor must be flat and sturdy (rotate left or right to adjust the wheel for levelling if unstable).

- The space on top of the refrigerator shall be greater than 11.8" (30 cm), and the refrigerator should be placed against a wall with a distance of more than 3.9" (10cm) to facilitate heat dissipation.
- Spare enough space for convenient opening of doors and drawers according to the statement of the distributor.



Width "W"	27.6" (70cm)
Depth "D"	28.8" (73.1cm)
Height "H"	60.6" (154cm)
A	42.7" (108cm)
B	51.6" (131cm)

## NOTE

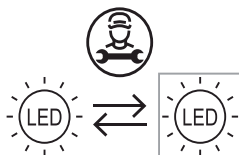
This refrigerator needs to be installed independently and cannot be used as a built-in. Otherwise, it will cause problems such as failure to install into the cabinet, the performance and life of the product are reduced. And the manufacturer does not provide basic product warranty.

## 2.2 ENERGY SAVING TIPS

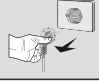


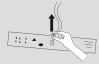
- The appliance should be located in the coolest area of the room, away from heat producing appliances or heating ducts, and out of direct sunlight.
- Let hot foods cool down to room temperature before placing it in the appliance. Overloading the appliance forces the compressor to run longer. Food that freezes too slowly may lose quality, or spoil.
- Be sure to wrap food properly, and wipe containers dry before placing them in the appliance. This cuts down on frost build-up inside the appliance.
- Appliance storage bins should not be lined with tin foil, wax paper, or paper toweling. Liners interfere with cold air circulation, making the appliance less efficient.
- Organize and label food to reduce door openings and extended searches. Remove as many items as needed at one time, and close the door as soon as possible.

## 2.3 CHANGING THE LIGHT

- Any replacement or maintenance of the LED lamps is intended to be made by the manufacturer, its service agent or similar qualified persons.



The light source in this product is only to be replaced by qualified engineers.

	1. First remove the plug.
	2. Remove the light cover with a screwdriver.
	3. Take down the lamp panel.
	4. Remove the connection terminal.



## 2.4 START TO USE

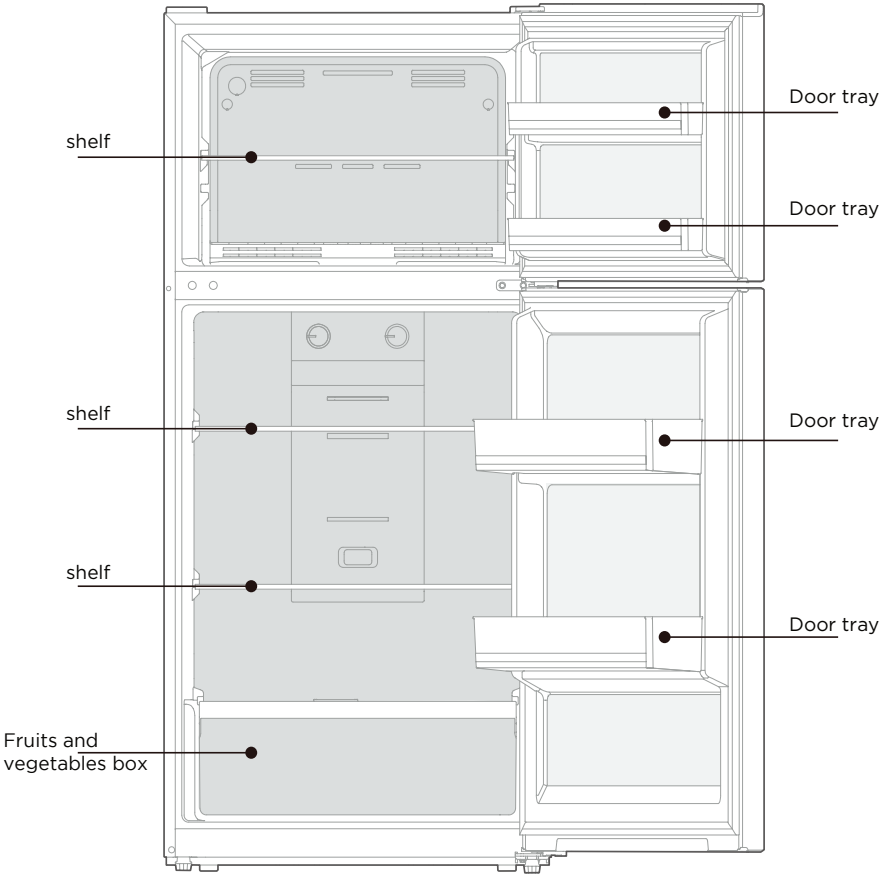
- Before initial start, keep the refrigerator still for two hours before connecting it to power supply.
- Before placing any fresh or frozen foods, the refrigerator should have run for 2 - 3 hours, or for above 4 hours in summer when the ambient temperature is high.

### NOTE

**This product is not recommended for use with sockets or main switch with the A/GFCI function, otherwise it may cause false tripping.**

- 1. It's not pose a safety risk when tripped.**
- 2. If tripping persists, it is recommended to replace the sockets or main switch without A/GFCI function.**

## 2.5 COMPONENTS



The picture above is for reference purposes only.

**Refrigerating chamber**

- The Refrigerating chamber is suitable for storage of a variety of fruits, vegetables, beverages and other short-term food, but the vegetables should be as far away from the refrigeration air supply outlet as possible.
- Cooking foods shall not be put in the refrigerating chamber until cooled to room temperature.
- Foods are recommended to be sealed up before putting into the refrigerator.
- The glass shelves can be adjusted up or down for a reasonable amount of storage space and easy use.

**Freezing chamber**

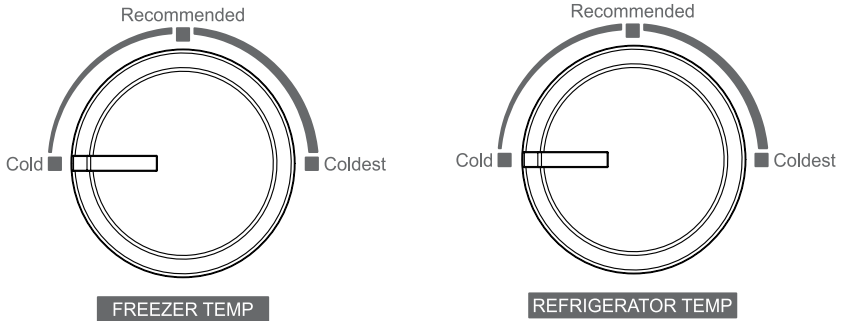
- The low temperature freezing chamber may keep food fresh for a long time and it is mainly used to store frozen foods and making ice.
- The freezing chamber is suitable for storage of meat, fish, rice balls and other foods not to be consumed in short term.
- Chunks of meat are preferably to be divided into small pieces for quick freezing and easy access. Please be noted food shall be consumed within the shelf time.

**IMPORTANT:**

**Drawers, food boxes, shelves, etc. placed according to the position in the picture above are the most energy efficient.**

## 2.6 FUNCTIONS

### Temperature Controlling Knob







The picture above is for reference purposes only.

The temperature control dials are located at the rear wall of the fridge. The freezer dial is on the left and the refrigerator dial is on the right. The recommended settings are sufficient for regular home use.

## 2.7 REVERSE DOOR HINGES (Optional)

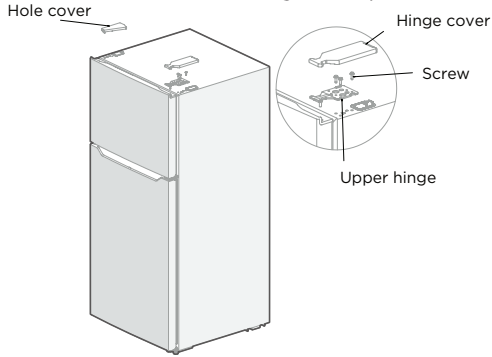
### Precautions before operation:

- Before making changes the refrigerator must be disconnected from power. Before adjusting the door, precautions should be taken to prevent any personal injury.

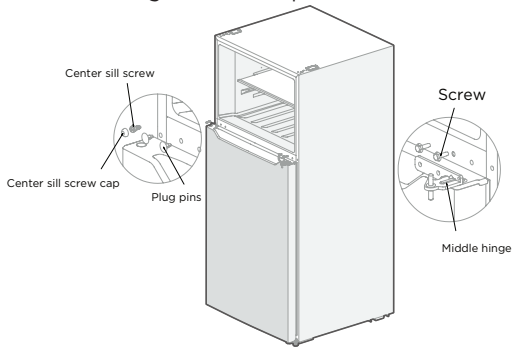
List of tools to be provided to the user			
	Phillips screwdriver		Putty knife, thin-blade screwdriver
	5/16" socket and ratchet		Masking tape

Parts to be used for door reverse			
SN	parts	Quantity	Notes
1	Upper hinge	1	Pre installed on the box and still needs to be used when changing the door
2	Upper hinge cover	1	Pre installed on the box and still needs to be used when changing the door
3	Upper hinge axle sleeve	1	Pre installed on the door and still needs to be used when changing the door
4	Upper hinge screw	3	Pre installed on the box and still needs to be used when changing the door
5	Hole cover	1	Pre installed on the box and still needs to be used when changing the door
6	Middle hinge screw	2	Pre installed on the box and still needs to be used when changing the door
7	Middle hinge	1	Pre installed on the box and still needs to be used when changing the door
8	Hole plug	2	Pre installed on the box and still needs to be used when changing the door
9	Adjustable foot	1	Pre installed on the box and still needs to be used when changing the door
10	Center sill screw	2	Pre installed on the box and still needs to be used when changing the door
11	Center sill screw cap	1	Pre installed on the box and still needs to be used when changing the door
12	Lower hinge screw	3	Pre installed on the box and still needs to be used when changing the door
13	Lower hinge	1	Pre installed on the box and still needs to be used when changing the door
14	Stopper	2	Pre installed on the door and still needs to be used when changing the door
15	Stopper screw	2	Pre installed on the door and still needs to be used when changing the door
16	Right door self-locking	2	Pre installed on the door body, removed when changing the door, and retained
17	Left door self-locking	2	Put it in the accessory bag and use it when changing the door
18	Screw self-locking	2	Pre installed on the door and still needs to be used when changing the door
19	Hole plug	1	Pre installed on the door and still needs to be used when changing the door

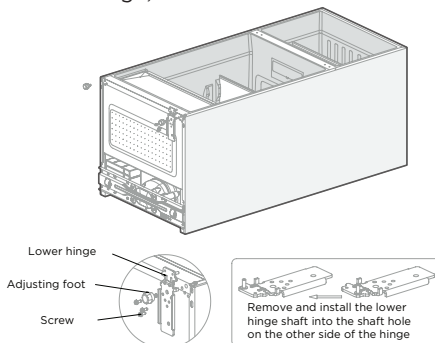
- 1) Unplug the refrigerator and take out all the food in the refrigerator;
- 2) Remove the right hinge cover, screws and upper hinge on the top of the box, and the hole cover on the left; take out the freezing door upwards.



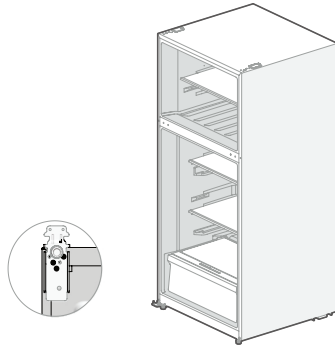
- 3) Unscrew the hinge screws, remove the middle hinge, remove the hole cover (plug screw), screw cap and middle beam screw on the middle beam, and take out the door body of the cold storage chamber upwards.



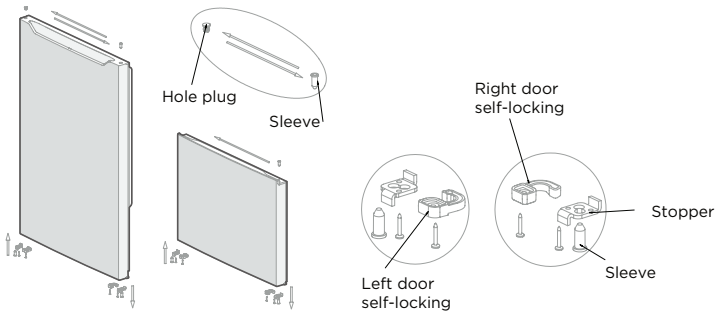
- 4) Put the refrigerator down, unscrew the lower hinge screw and adjusting foot, remove the lower hinge, remove the lower hinge shaft and install it into the shaft hole on the other side of the hinge;



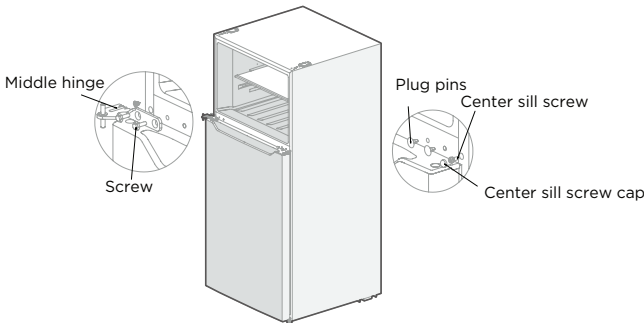
5) Install the lower hinge and tighten the screws on the left side of the refrigerator, install two adjusting feet, and erect the refrigerator.



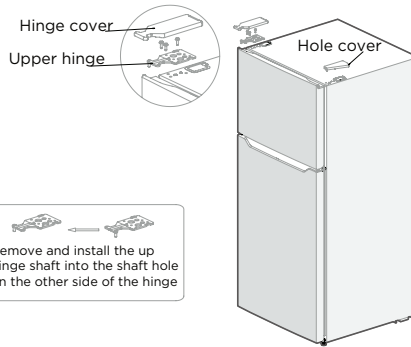
6) Unscrew and remove the shaft sleeves, door stops and right door self-locking screws of the two door bodies, take out the left door self-locking from the accessory bag, and install it to the left corner of the door body together with the door stops and shaft sleeves. Take out the hole plug and shaft sleeve on the upper part of the cold storage door and adjust their positions before installing them into the door body. Take out the shaft sleeve on the freezing door and install it on the other side.



7) Install the refrigerated door on the lower hinge, install the center beam screws, center hinge and tighten the screws on the left side, and cover the hole cover (plug screw), center beam screws and screw caps on the right side.



8) Install the freezing door on the middle hinge, remove the upper hinge shaft and install it into the shaft hole on the other side of the hinge, install the upper hinge and tighten the screws, and install the upper hinge cover and the right hole cover;



**The picture above is only for reference. The actual configuration will depend on the physical product or statement by the distributor**

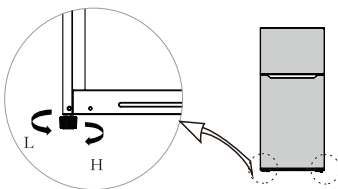
## 2.8 LEVELING FEET

1) Precautions before operation:

Before making changes the refrigerator must be disconnected from power.

Before adjusting the leveling feet, precautions should be taken to prevent any personal injury.

2) Schematic diagram of leveling feet



3) Adjusting procedures:

- Turn the feet clockwise to raise the refrigerator.
- Turn the feet counter-clockwise to lower the refrigerator.

c. Adjust the right and left feet based on the procedures above to a horizontal level.

### **IMPORTANT:**

**The picture above is only for reference. The actual configuration will depend on the physical product or statement by the distributor**



# 3. MAINTENANCE OF REFRIGERATOR

## 3.1 OVERALL CLEANING

- Dust behind the refrigerator and on the floor must be cleaned to improve the cooling effect and energy saving.
- Check the door gasket regularly to make sure there is no debris. Clean the door gasket with a soft cloth dampened with soapy water or diluted detergent.
- The interior of the refrigerator should be cleaned regularly to avoid odors.
- Please turn off the power before cleaning the interior, remove all food, drink, shelves, drawers, etc.
- Use a soft cloth or sponge to clean the inside of the refrigerator with two tablespoons of baking soda and a quart of warm water. Then rinse with water and wipe clean. After cleaning, open the door and let it dry naturally before turning on the power.
- For areas that are difficult to clean inside the refrigerator (such as narrow places, gaps or corners), we recommend to wipe them regularly with a soft rag, soft brush, etc. and when necessary, with some tools (such as thin sticks) to ensure no contaminants or bacterial accumulation in these areas.
- Do not use soap, detergent, scrub powder, spray cleaner, etc., as these may cause odors inside the refrigerator or contaminate food.
- Clean the door tray, shelves and drawers with a soft cloth dampened with soapy water or diluted detergent. Dry with a soft cloth or dry naturally.
- Wipe the outer surface of the refrigerator with a soft cloth dampened with soapy water, detergent, etc., and then wipe dry.
- Do not use hard brushes, scouring pads, wire brushes, abrasives (such as toothpaste), organic solvents (such as alcohol, acetone, banana oil, etc.), boiling water, acid or alkaline items, which may damage the fridge surface and interior. Boiling water and organic solvents such as benzene may deform or damage plastic parts.
- Do not rinse directly with water or other liquids during cleaning to avoid short circuit or affect electrical insulation after immersion.



**Unplug the refrigerator for defrosting and cleaning.**

## 3.2 DEFROSTING

- Frost formed due to change of season or temperature may also be manually removed by disconnection of the appliance from power supply or by wiping with a dry towel.

## 3.3 OUT OF OPERATION

- Power failure: In case of power failure, even if it is in summer, food inside the appliance can be kept for several hours; during the power failure, the times of opening the doors must be reduced, and no more fresh food should be placed into the appliance.
- Long-term non-use: Unplug and clean the appliance and leave the doors open to prevent odors.
- Moving: Before the refrigerator is moved, take all objects out, fix the glass partitions, vegetable holder, freezing chamber drawers etc. with tape, and tighten the leveling feet; close the doors and fix them with tape. During the move, the appliance must not be laid upside down or horizontally, or be exposed to strong vibration; the inclination during the move should be no more than 45°.

### IMPORTANT:

**The appliance shall run continuously once it is started. Generally, the operation of the appliance shall not be interrupted; otherwise the service life may be impaired**

## 4. TROUBLE SHOOTING

The following simple issues can be handled by the user. Please call the after-sale service department if the issues are not solved.

Malfunction	Check whether the appliance is connected to power or whether the plug is inserted properly. Check whether the voltage is too low. Check whether there is a power failure or circuits have tripped.
Odor	Odorous food should be tightly wrapped. Check whether there is any rotten food. Clean the inside of the refrigerator.
Long operation of the compressor	Long operation of the refrigerator is normal in summer when the ambient temperature is high. We do not suggest placing too much food in the appliance at the same time. Food must cool down before being placed in the appliance. The doors are opened too frequently.
Light fails to turn on	Check whether the refrigerator is connected to power supply and whether the illuminating light is damaged. Have the light replaced by a specialist.
Door cannot be properly closed	The door is stuck by food packages. The refrigerator is tilted.
Loud noises	Check whether the floor is level and whether the refrigerator is placed in a stable position. Check whether accessories are placed at proper locations.
Door seal fails to be tight	Remove foreign matters on the door seal. Heat the door seal and then cool it for restoration (or blow it with an electrical drier or use a hot towel for heating).
Water pan overflows	There is too much food in the chamber or food stored contains too much water, resulting in heavy defrosting. The doors are not closed properly, resulting in frosting due to entry of air and increased water due to defrosting.
Hot housing	Heat dissipation of the built-in condenser via the housing, which is normal. When the housing becomes hot due to high ambient temperature, storage of too much food or shutdown of the compressor, provide good ventilation to facilitate heat dissipation.
Surface condensation	Condensation on the exterior surface and door seals of the refrigerator is normal when the ambient humidity is too high. Just wipe the condensate with a clean towel.
Abnormal noise	Buzz: The compressor may produce buzzes during operation, and the buzzes are loud particularly upon start or stop. This is normal. Creak: Refrigerant flowing inside the appliance may produce creak, which is normal.

### PROBLEMS WITH YOUR APPLIANCE?

You can solve many common refrigerator-freezer problems easily, saving you the cost of a possible service call. Try the suggestions above to see if you can solve the problem before calling for service.

# WARRANTY

## REFRIGERATOR WARRANTY

Your Refrigerator is protected by this warranty

	WARRANTY PERIOD	THROUGH OUR AUTHORIZED SERVICERS, WE WILL:	THE CONSUMER WILL BE RESPONSIBLE FOR:
ONE YEAR LIMITED WARRANTY	One year from original purchase date	Pay all costs for repairing or replacing any parts of this appliance which prove to be defective in materials or workmanship. Excludes original and replacement Ice & Water filter cartridges (if equipped). Original and replacement cartridges are warranted for 30 days (parts only).	Costs of service calls that are listed under <b>NORMAL RESPONSIBILITIES OF THE CONSUMER.*</b>

In the U.S.A., your appliance is warranted by Crosley Corporation. We authorize no person to change or add to any of our obligations under this warranty. Our obligations for service and parts under this warranty must be performed by an authorized Crosley Corporation servicer. In Canada your appliance is warranted by Crosley Canada Corp.

### \*NORMAL RESPONSIBILITIES OF THE CONSUMER

**This warranty applies only to products in ordinary household use, and the consumer is responsible for the items listed below:**

- 1 Proper use of the appliance in accordance with instructions provided with the product.
- 2 Proper installation by an authorized servicer in accordance with instructions provided with the appliance and in accordance with all local plumbing, electrical and/or gas codes.
- 3 Proper connection to a grounded power supply of sufficient voltage, replacement of blown fuses, repair of loose connections or defects in house wiring.
- 4 Expenses for making the appliance accessible for servicing, such as removal of trim, cupboards, shelves, etc., which are not part of the appliance when it was shipped from the factory.
- 5 Damages to finish after installation.
- 6 Replacement of light bulbs and/or fluorescent tubes (on models with these features).

### EXCLUSIONS

**This warranty does not cover the following:**

- 1 CONSEQUENTIAL OR INCIDENTAL DAMAGES SUCH AS PROPERTY DAMAGE AND INCIDENTAL EXPENSES RESULTING FROM ANY BREACH OF THIS WRITTEN OR ANY IMPLIED WARRANTY.  
  
NOTE: Some states do not allow the exclusion or limitation of incidental or consequential damages, so this limitation or exclusion may not apply to you.
- 2 Service calls which do not involve malfunction or defects in workmanship or material, or for appliances not in ordinary household use. The consumer shall pay for such service calls.
- 3 Damages caused by services performed by servicers other than Crosley Corporation, Crosley Canada Corp, or its authorized servicers; use of parts other than genuine Crosley Corporation parts, obtained from persons other such servicers; or external; causes such as abuse, misuse, inadequate power supply or acts of God.
- 4 Products with original serial numbers that have been removed or altered and cannot be readily determined.

### IF YOU NEED SERVICE

Keep your bill of sale, delivery slip, or some other appropriate payment record. The date on the bill establishes the warranty period should service be required. If service is performed, it is in your best interest to obtain and keep all receipts. This written warranty gives you specific legal rights. You may also have other rights that vary from state to state. Service under this warranty must be obtained by contacting Crosley Corporation or Crosley Canada Corp.

Rev.12/2022

### FOR WARRANTY INFORMATION

#### CONTACT:

**844-CROSLEY (844-276-7539)**

CrosleyCare Service

3 Sperry Rd.

Fairfield, NJ 07004

### FOR PRODUCT INFORMATION

#### CONTACT:

**800-356-5268**

Crosley

11430 Gravois Rd, Ste 310.

St.Louis,MO63126

www.crosley.com

**Disclaimer: The design and specifications are subject to change without prior notice for product improvement.**